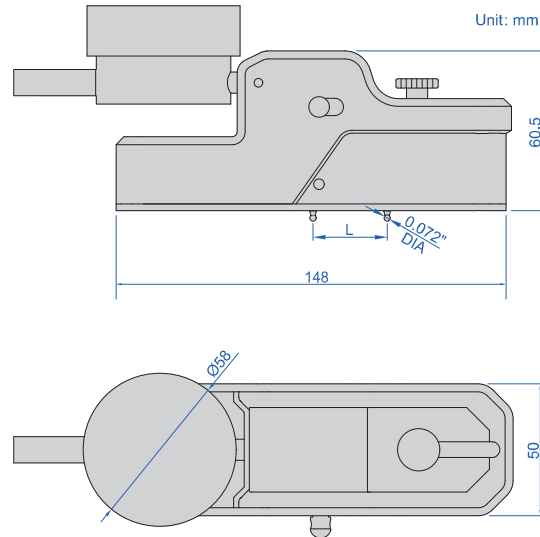
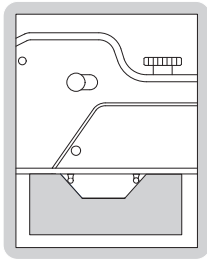


DIGITAL GROOVE WIDTH MEASURING INSTRUMENT

POINT DIAMETER
CAN BE CUSTOMIZED

DATA
OUTPUT

application



2260-4

- Measure groove width of flange ring groove
- Point height is adjustable
- Resolution: 0.001mm/0.00005"
- Reading in digital and analog
- Digital indicator display can be rotated by 320°
- Digital indicator button function: on/off, zero setting, tolerance Go and No-Go display, measuring direction change, max./min./TIR measurement, data preset, inch/metric conversion, data output, absolute/incremental measurement
- Digital indicator can keep preset data and tolerance data in memory after restart
- CR2032 battery, automatic power off (time is adjustable)
- Data output
- Optional accessory: wireless transmitter code **7315-51** (receiver is needed)
groove standard block code **6254**

Code	Range (L)	Movable point stroke	Accuracy	Repeatability
2260-4	0.6-1.6"/15-40mm	0.2"/5mm	5μm	2μm